

Pressure Relief Valve



- **UL Listed**
- **Factory Mutual Approved**
- **Direct Acting - Precise Pressure Control**
- **Positive Dependable Opening**
- **Drip Tight Closure**
- **No Packing Glands or Stuffing Boxes**
- **Sensitive to Small Pressure Variations**

The Cla-Val Model 55L (**UL Listed FM approved**) Pressure Relief Valve is a direct-acting, spring loaded, diaphragm type relief valve. The valve may be installed in any position and will open and close within very close pressure limits.

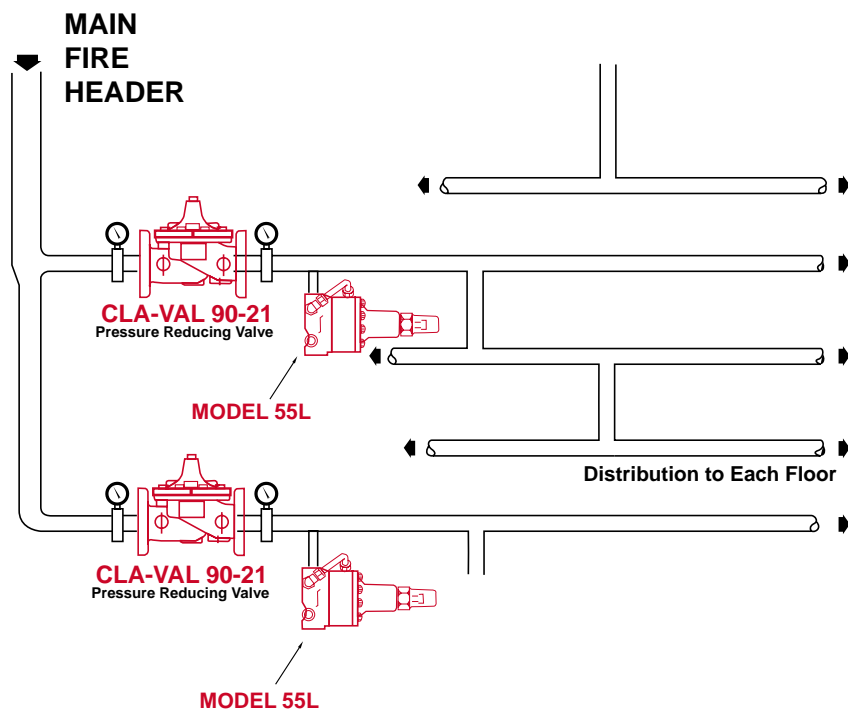
The Model 55L is normally held closed by the force of the compression spring above the diaphragm. When the controlling pressure applied under the diaphragm exceeds the spring setting, the disc is lifted off its seat, permitting flow through the control. When control pressure drops below the spring setting, the spring forces the control back to its normally closed position. The controlling pressure is applied to the chamber beneath the diaphragm through an external tube on the 55L.

Pressure adjustment is simply a matter of turning the adjusting screw to vary the spring load on the diaphragm. The 55L is available in two pressure ranges; 0 to 75 psi, 20 to 200 psi. To prevent tampering, the adjustment cap can be wire sealed by using the lock wire holes provided in the cap and cover.

Note: Also Available in Seawater Service Material

Typical Applications

Fire Protection System Service
Using the **Model 55L** in a fire protection system or other closed type system, prevents pressure build-up whenever line pressure exceeds the setting of the spring. The valve will relieve excess pressure to atmosphere preventing damage to the distribution network.

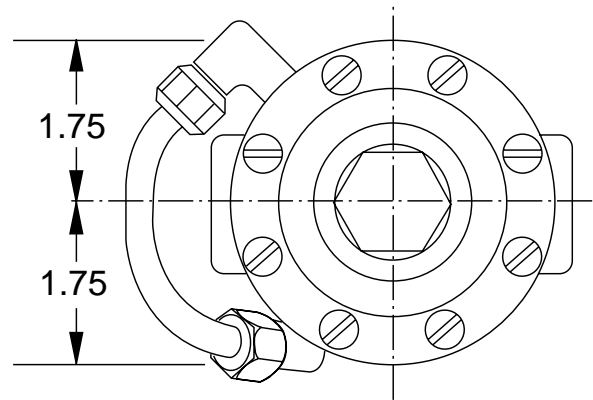


Specifications

Size	1/2" & 3/4" screwed
Temperature Range	Water, Air: to 180°F Max.
Materials	
Body & Cover:	Cast Bronze ASTM B62 Stainless Steel ASTM A743-CF-16Fa
Trim:	Brass & Stainless Steel 303
Rubber:	Buna-N® Synthetic Rubber

55L Range PSI	Approximate Increase For Each Clockwise Turn Of Adjusting Screw
0 to 75	8.5 psi
20 to 200	28.0 psi

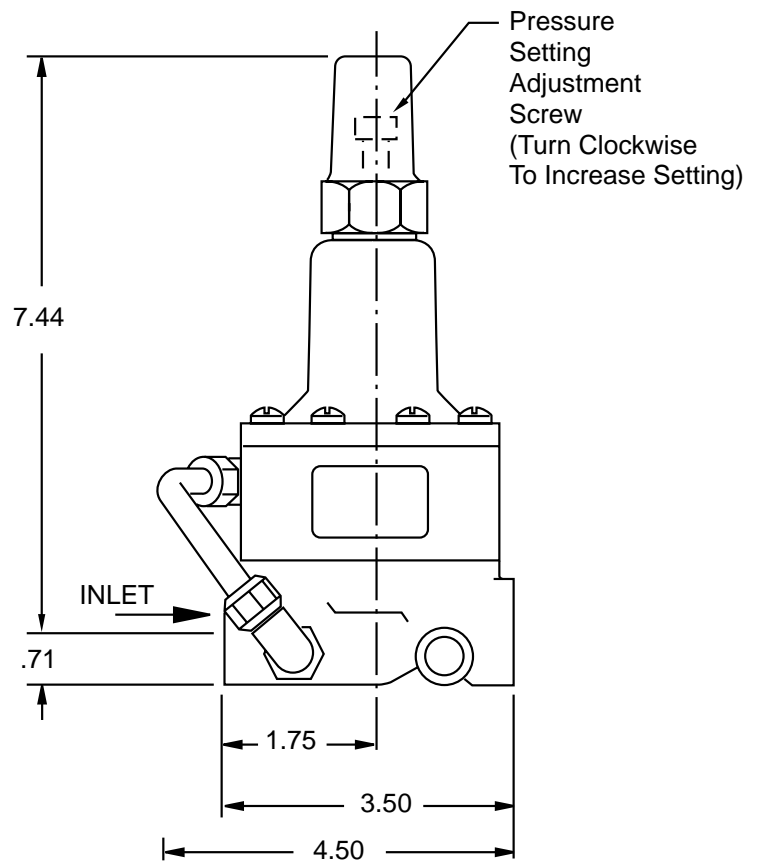
55L Basic Valve Dimensions (In Inches)



Pressure Ratings	Cast Bronze 400 psi Max. Stainless Steel 400 psi Max.
Other Materials	Available on special order
Adjustment Ranges	0 to 75 psi 20 to 200 psi

Flow Loss Chart (Full Open Valve)

Valve Size	C _v Factor	Flow of Water - Gallons Per Minute				
		5	10	15	20	30
1/2"	6	0.7	2.7	6	11	
3/4"	8.5	0.3	1.4	3.1	5.5	12.2



When Ordering, Please Specify

1. Catalog No. 55L
2. Valve Size
3. Adjustment Range Desired
4. Optional Materials

0 to 75 and 20 to 200 psi design



E-55L (R-9/03)

CLA-VAL

PO Box 1325 Newport Beach CA 92659-0325
Phone: 949-722-4800 • Fax: 949-548-5441

CLA-VAL CANADA

4687 Christie Drive
Beamsville, Ontario
Canada LOR 1B4
Phone: 905-563-4963
Fax: 905-563-4040

CLA-VAL EUROPE

Chemin d s Mesanges 1
CH-1032 Romanel/
Lausanne, Switzerland
Phone: 41-21-643-15-55
Fax: 41-21-643-15-50

COPYRIGHT CLA-VAL 2002 Printed in USA
Specifications subject to change without notice.

www.cla-val.com

Represented By: