

Aurora Pumps
 800 Airport Road
 North Aurora, IL 60542
 phone: 630-859-7000
 fax: 630-859-7034

March 7, 2001

APPLICATION ENGINEERING NEWSLETTER

Determining Pump Rotation for Aurora Pumps

Shaft Rotation of Right and Left Hand Pumps.

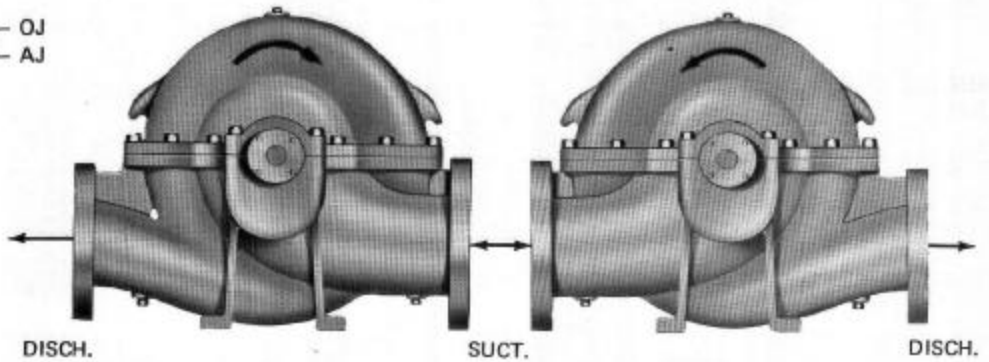
The rotation of a pump observed from the driver end facing the pump, determines whether it should be referred to as right or left hand type.

1. Right Hand Pump has Clockwise Rotation.
2. Left Hand Pump has Counter Clockwise Rotation.

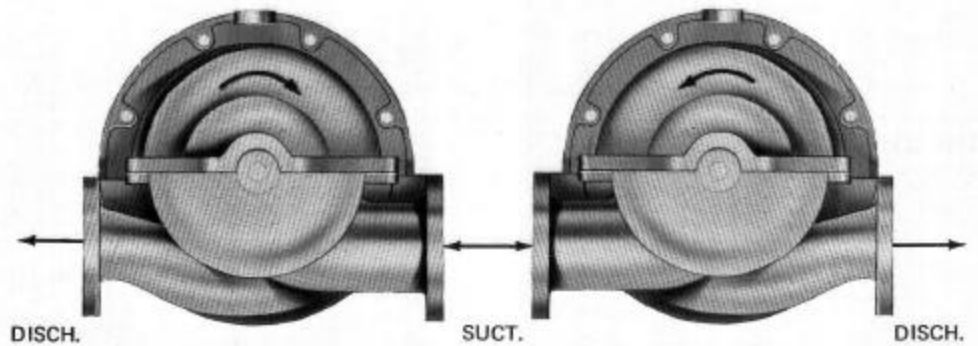
<u>PUMP TYPE</u>	<u>SERIES</u>
HORIZONTAL SPLIT CASE	410 – OJ
	420 – AJ

RIGHT HAND

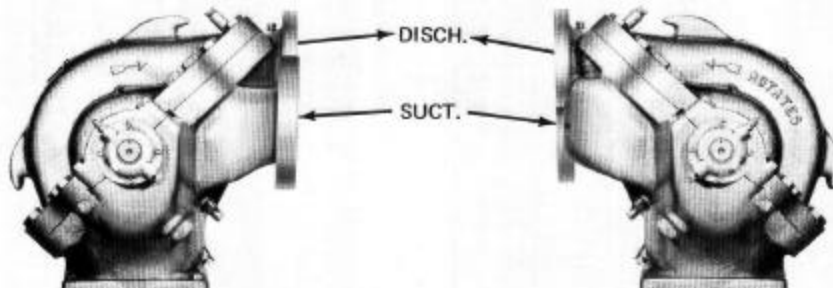
LEFT HAND



VERTICALLY MOUNTED



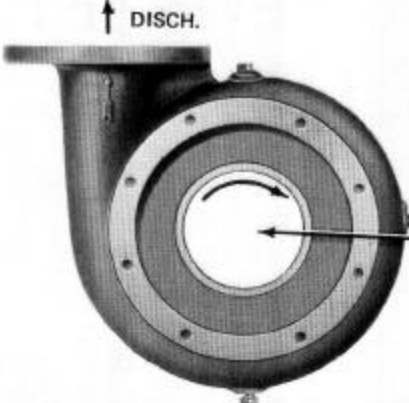
DIAGONAL SPLIT CASE	430 – AD
------------------------	----------



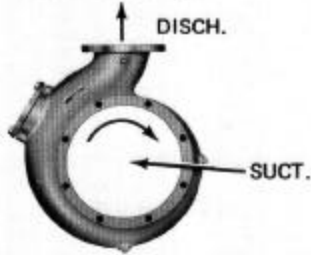
APPLICATION ENGINEERING NEWSLETTER

Long Radius Elbows on Split Case Pumps

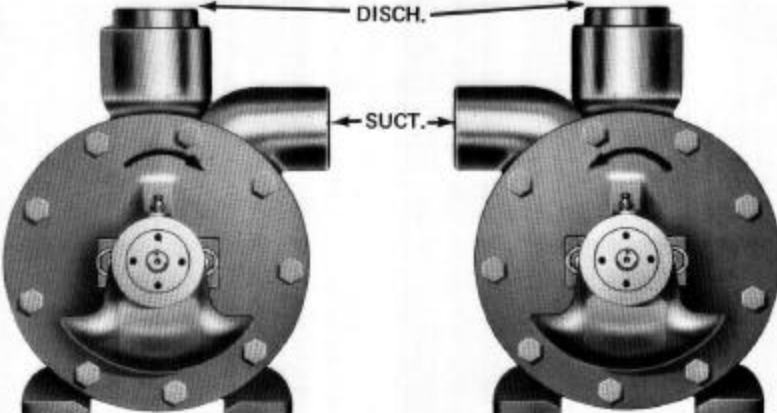
Page 2

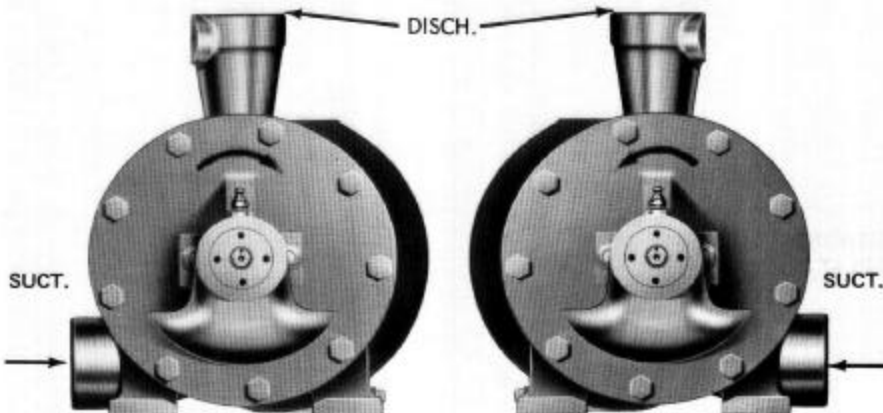
<u>PUMP TYPE</u>	<u>SERIES</u>	<u>RIGHT HAND</u>	<u>LEFT HAND</u>
END SUCTION	320 360 340 610	 <p>↑ DISCH. SUCT.</p>	L.H. NOT AVAILABLE

NOTE: 320 & 610 Series have Centerline discharge.



DISCH.
SUCT.

SINGLE STAGE APCO	110	 <p>DISCH. SUCT.</p>	
----------------------	-----	-------------------------------------------------------------------------------------------------------------	--

TWO STAGE APCO	110	 <p>DISCH. SUCT.</p>	
-------------------	-----	--------------------------------------------------------------------------------------------------------------	--